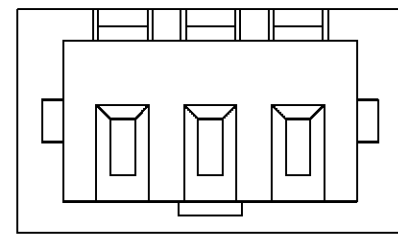
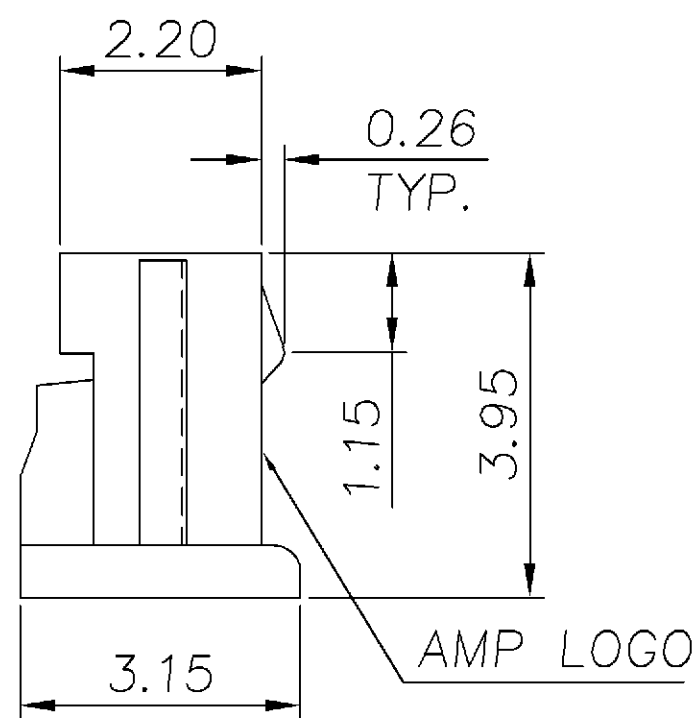


2 POS.



3 POS.



NOTE:
 1. MATERIAL:
 HOUSING: THERMOPLASTIC, UL 94V-0,
 COLOR: NATURAL.
 2. APPLY TERMINAL PART NO: X-440147-X.

15	20.50	19.20	17.50	1-440146-5
14	19.25	17.95	16.25	1-440146-4
13	18.00	16.70	15.00	1-440146-3
12	16.75	15.45	13.75	1-440146-2
11	15.50	14.20	12.50	1-440146-1
10	14.25	12.95	11.25	1-440146-0
9	13.00	11.70	10.00	440146-9
8	11.75	10.45	8.75	440146-8
7	10.50	9.20	7.50	440146-7
6	9.25	7.95	6.25	440146-6
5	8.00	6.70	5.00	440146-5
4	6.75	5.45	3.75	440146-4
3	5.50	4.20	2.50	440146-3
2	4.25	2.95	1.25	440146-2
POS.	A	B	C	PART NUMBER
	DIMENSIONS			

DIMENSIONS IN MILLIMETERS. DO NOT SCALE PRINT.

PRINT DIST
DW

DIMENSION : 0 PLC ± 1 PLC ±0.15 2 PLC ±0.10 3 PLC ±0.05 ANGLES ±3'	DWN	O. HU 29-JUL-2003	TE Connectivity NAME WIRE TO BOARD SOCKET, HOUSING, 1.25 PITCH.
	CHK	A. WU 29-JUL-2003	
MATERIAL	APVD	J. CHENG 29-JUL-2003	LOC DW A ₃ DRAWING NO C-440146 REV B1 SCALE -- SHEET 1 OF 2
SEE NOTE	PRODUCT SPEC	108-57225	
FINISH	QUALIFICATION TEST REPORT	501-57229	WEIGHT
SEE NOTE			

B1	REVISION RECORD	ECO	REVISOR	DATE
			RK HMR 02APR11	
			DWN CHK	

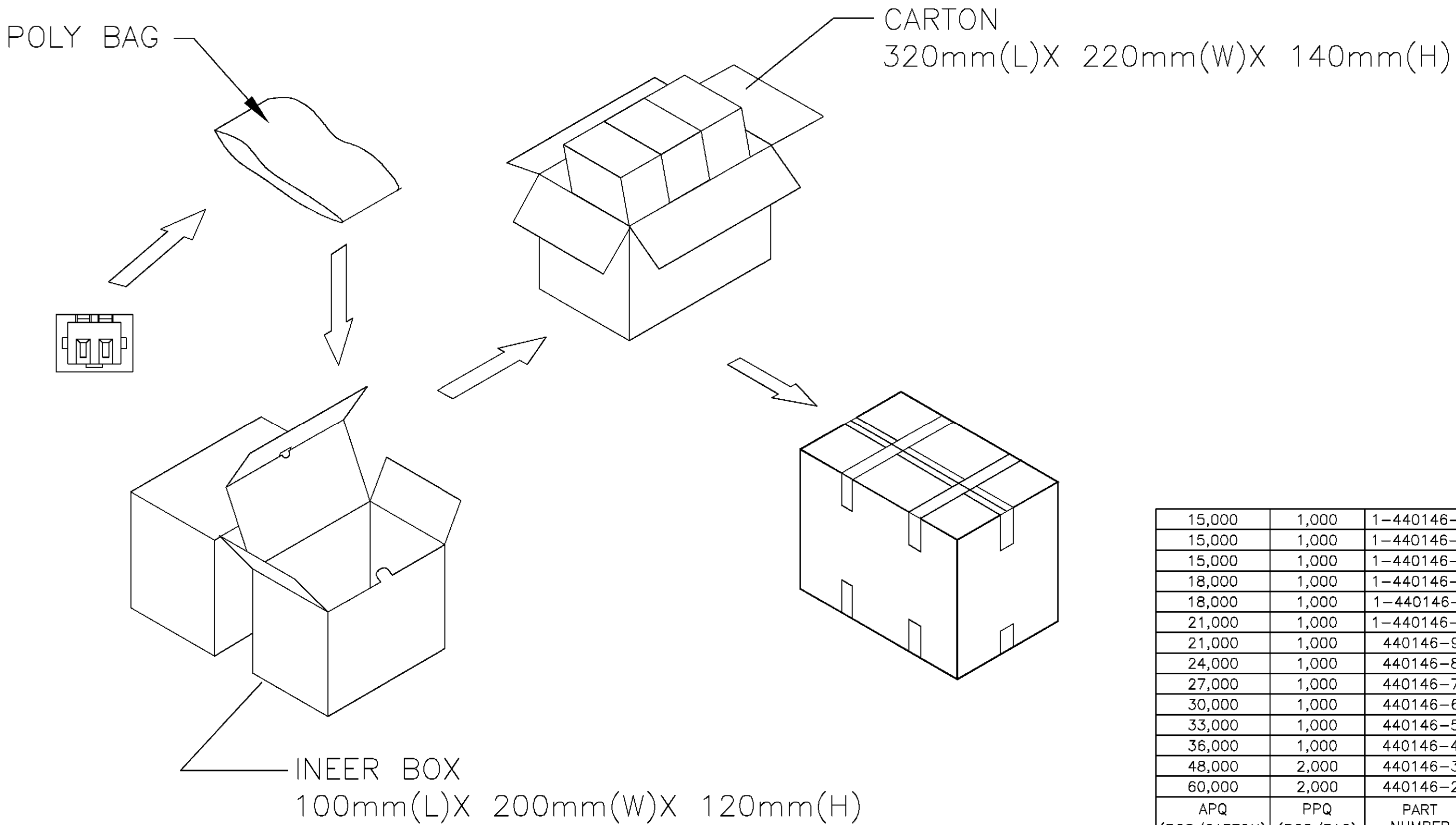
NUMBER
C-440146

METRIC
3RD ANGLE PROJECTION

METRIC

DIMENSIONS IN MILLIMETERS. DO NOT SCALE PRINT.

PRINT
DW



15,000	1,000	1-440146-5
15,000	1,000	1-440146-4
15,000	1,000	1-440146-3
18,000	1,000	1-440146-2
18,000	1,000	1-440146-1
21,000	1,000	1-440146-0
21,000	1,000	440146-9
24,000	1,000	440146-8
27,000	1,000	440146-7
30,000	1,000	440146-6
33,000	1,000	440146-5
36,000	1,000	440146-4
48,000	2,000	440146-3
60,000	2,000	440146-2
APQ (PCS/CARTON)	PPQ (PCS/BAG)	PART NUMBER

DIMENSION : 0 PLC ± 1 PLC ±0.15 2 PLC ±0.10 3 PLC ±0.05 ANGLES ±3°	DWN	O. HU	
	CHK	A. WU	
MATERIAL	APVD	J. CHENG	NAME WIRE TO BOARD SOCKET, HOUSING, 1.25 PITCH.
	PRODUCT SPEC	29-JUL-2003	
FINISH	QUALIFICATION TEST REPORT	LOC	SIZE
	WEIGHT	DW	DRAWING NO
SEE NOTE	SEE NOTE	SCALE	REV
SEE SHEET 1.	ECO	DATE	REV
LTR	REVISION RECORD	DWN	CHK

D
C
B
A